

EuroPHit_OP21_MosArt_Family Home_Ireland

Scale 1:10 @ A4
 Author Mariana Moreira
 Date 16.03.2016

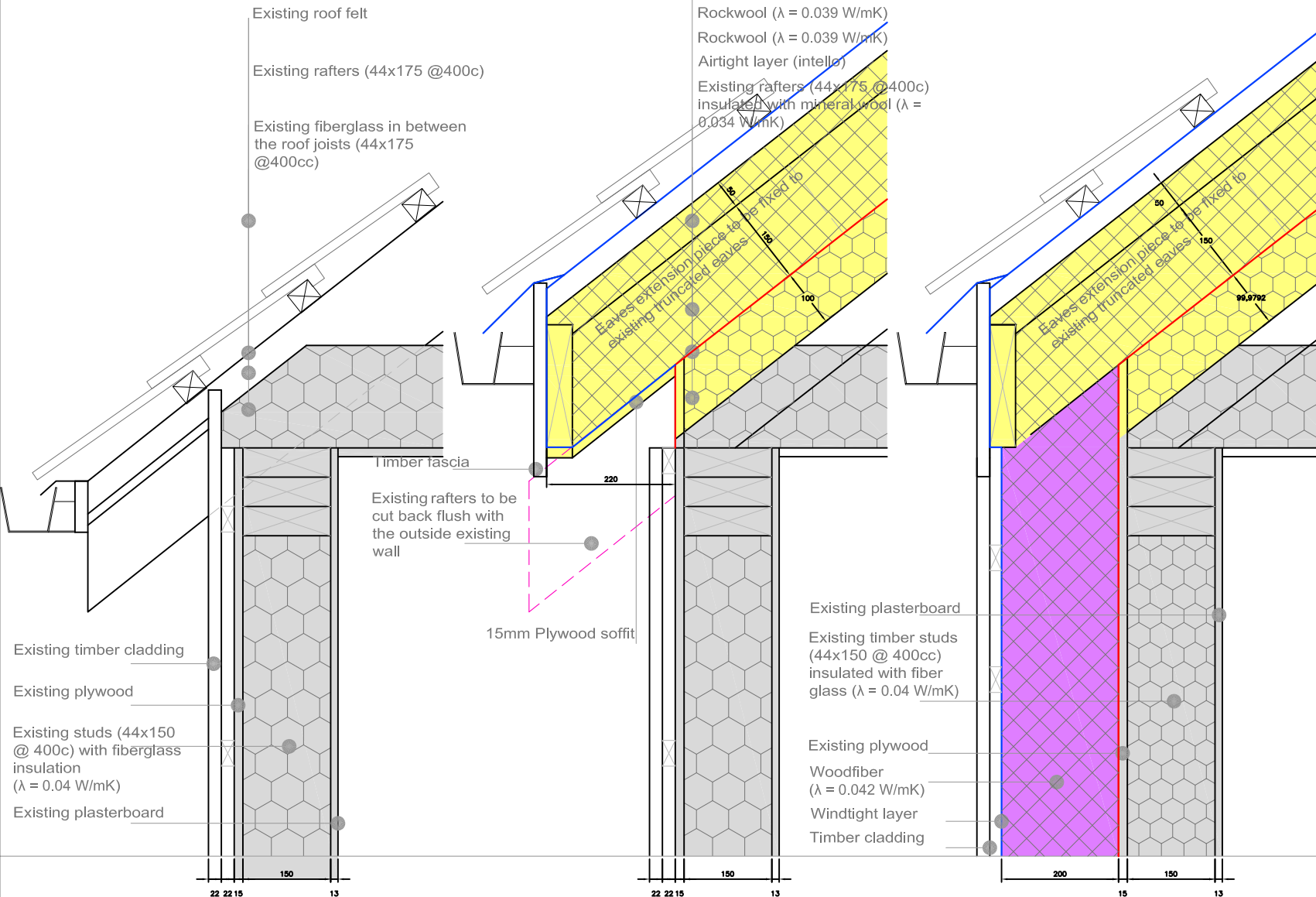


ROEA02 Eaves detail for timber stud wall

EXISTING

1 STEP

2 STEP



COLOR CODE

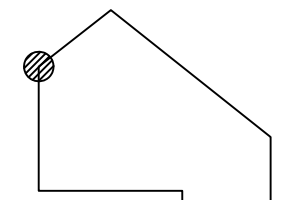
- Existing building
- Step 1
- Step 2
- Step 3
- Step 4
- temporary works (in between steps)

Airtight layer

Windtight layer

DESCRIPTION/CHALLENGES

In order to assure a continuous airtight line, it has been decided to keep the airtight layer over the existing rafters with an airtight membrane and along the outside of the existing timber frame walls. As external insulation will be applied on the outside face of both rafters and wall studs, the airtight layer is kept in the warm side of the construction.



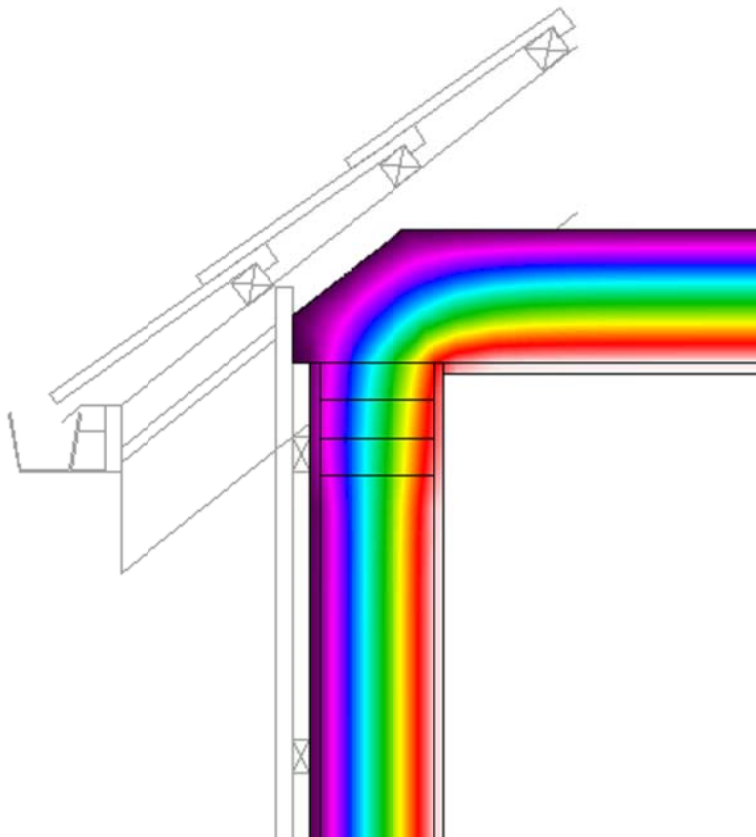
EuroPHit_OP21_MosArt_Family Home_Ireland

Scale 1:10 @ A4
 Author Mariana Moreira
 Date 16.03.2016



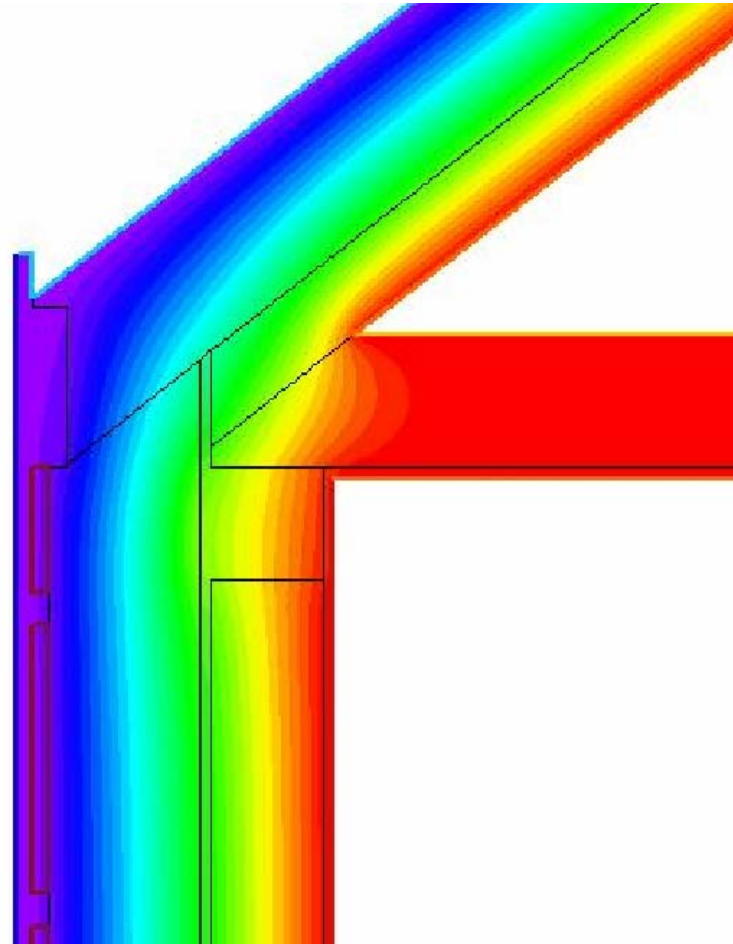
ROEA02 Eaves detail for timber stud wall - THERM

EXISTING



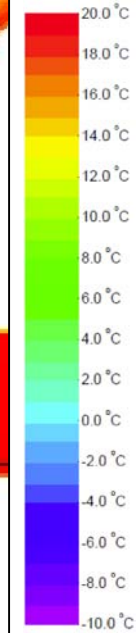
Ψ - value [W/mK] = - 0.017

FINAL STEP



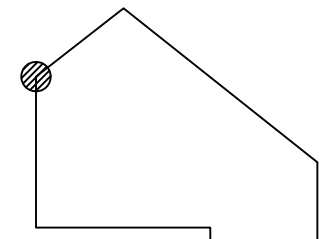
Ψ - value [W/mK] = - 0.018

COLOR CODE



DESCRIPTION/CHALLENGES

In order to assure a continuous airtight line, it has been decided to keep the airtight layer over the existing rafters with an airtight membrane and along the outside of the existing timber frame walls. As external insulation will be applied on the outside face of both rafters and wall studs, the airtight layer is kept in the warm side of the construction.



EuroPHit_OP21_MosArt_Family Home_Ireland

Scale	-
Author	Mariana Moreira
Date	16.03.2016



ROEA02 Eaves detail for timber stud wall - Site Photo

BEFORE

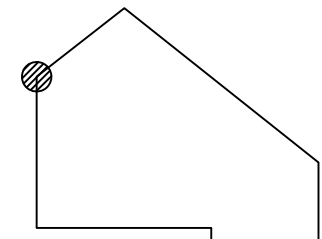


AFTER (STEP 1)



DESCRIPTION/CHALLENGES

In order to assure a continuous airtight line, it has been decided to keep the airtight layer over the existing rafters with an airtight membrane and along the outside of the existing timber frame walls. As external insulation will be applied on the outside face of both rafters and wall studs, the airtight layer is kept in the warm side of the construction.



Co-funded by the Intelligent Energy Europe Programme of the European Union

The sole responsibility for the content of this publication lies with the authors. It does not necessarily reflect the opinion of the European Union. Neither the EACI nor the European Commission are responsible for any use that may be made of the information contained therein.

EuroPHit