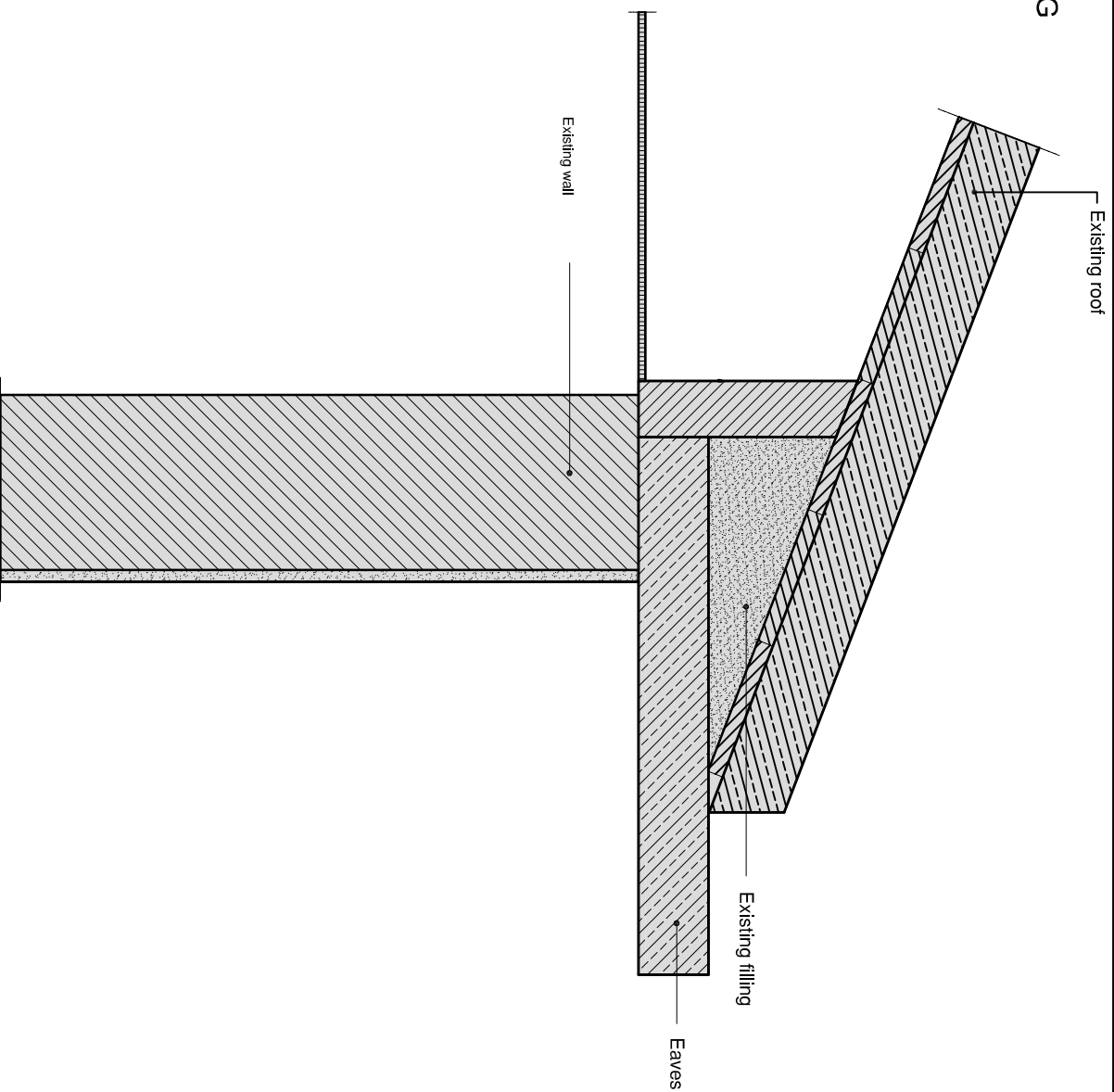


Case Study_OP27_San Roque Social Housing_Spain



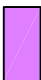


ROEA | Roof eaves. Vertical section.




Scale	1:10 @ A4
Author	Nuria Diaz/Anne Vogt
Date	30.09.2016



COLOR CODE

-  Existing building
-  Step 1
-  Step 2
-  Step 3
-  Step 4

 temporary works
(in between steps)

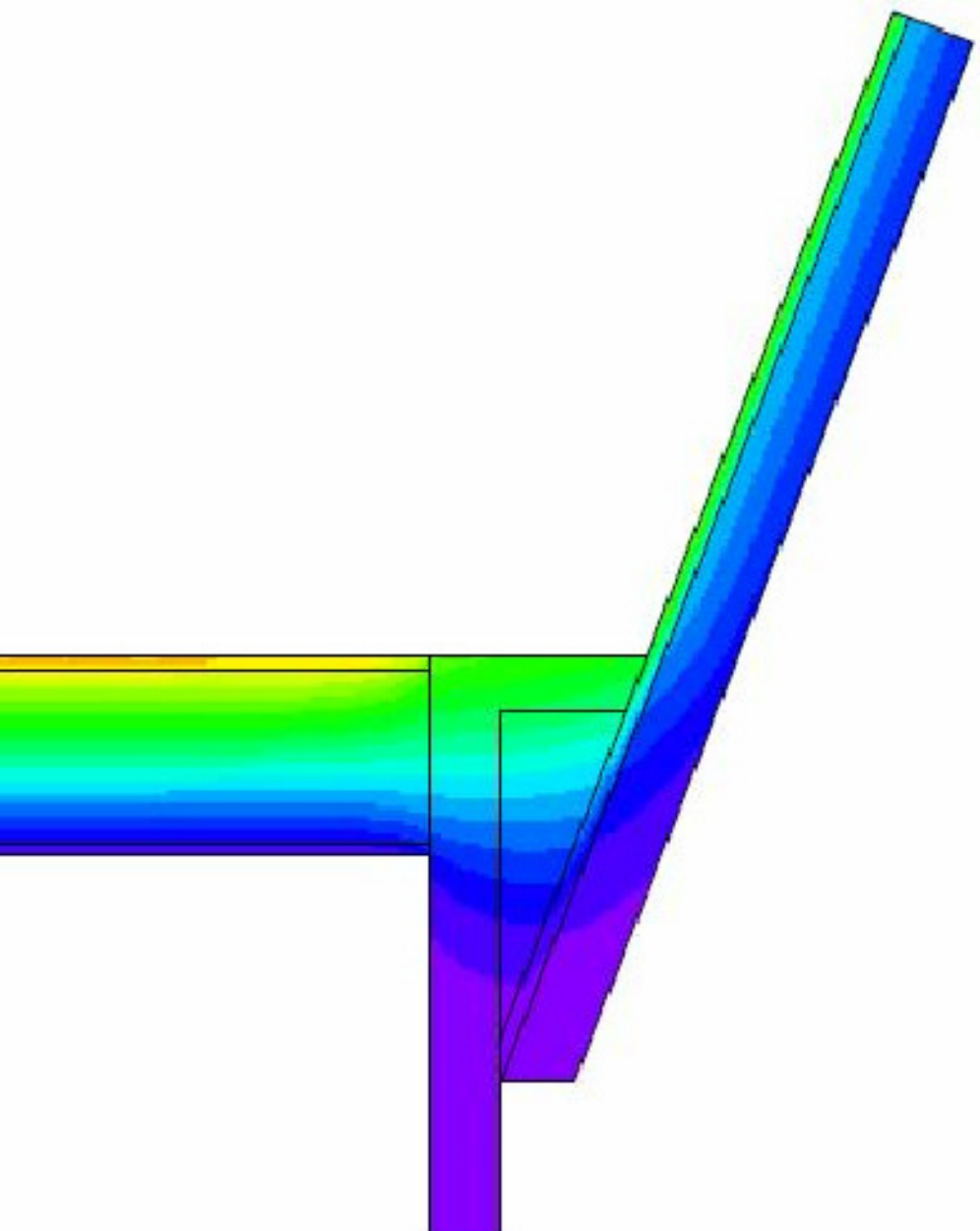
 Airtight layer

DESCRIPTION/CHALLENGES

Case Study_OP27_San Roque Social Housing_Spain

Roof eaves. Vertical section.

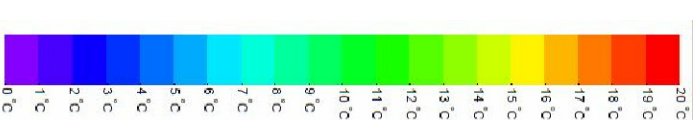
Existing



ψ - value [W/mk] = -0.297

Scale	1:10 @ A4
Author	Nuria Diaz/Anne Vogt
Date	30.09.2016

COLOR CODE



Co-funded by the Intelligent Energy Europe Programme of the European Union

The sole responsibility for the content of this publication lies with the authors. It does not necessarily reflect the opinion of the European Union. Neither the EACI nor the European Commission are responsible for any use that may be made of the information contained therein.

EuroPHit

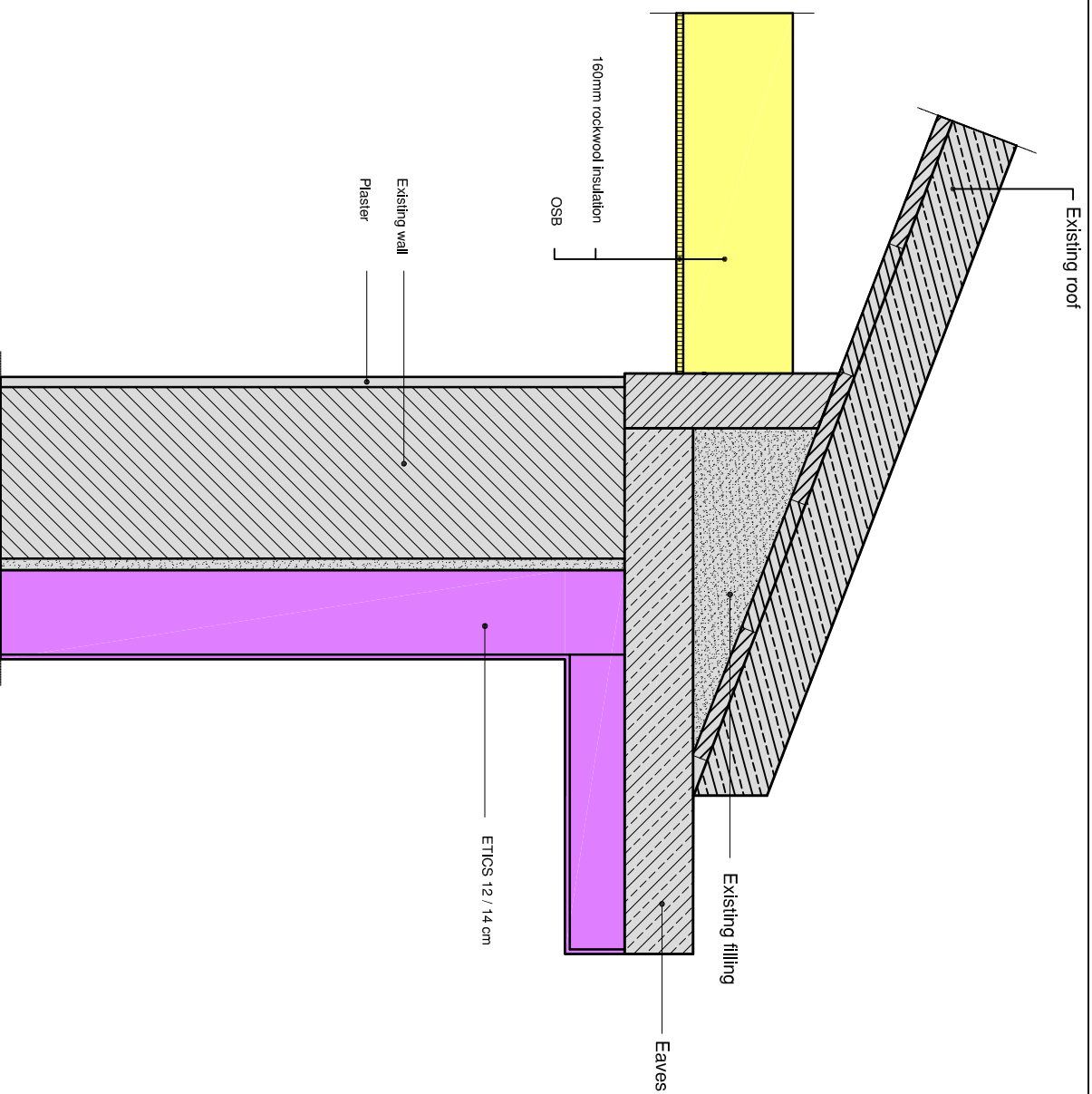


PLATAFORMA
EDIFICACION
PASSTIVAUS

Case Study_OP27_San Roque Social Housing_Spain

ROEA | Roof eaves. Vertical section.

1 STEP



Scale	1:10 @ A4
Author	Nuria Diaz/Anne Vogt
Date	30.09.2016



COLOR CODE

- Existing building
- Step 1
- Step 2
- Step 3
- Step 4

temporary works
(in between steps)

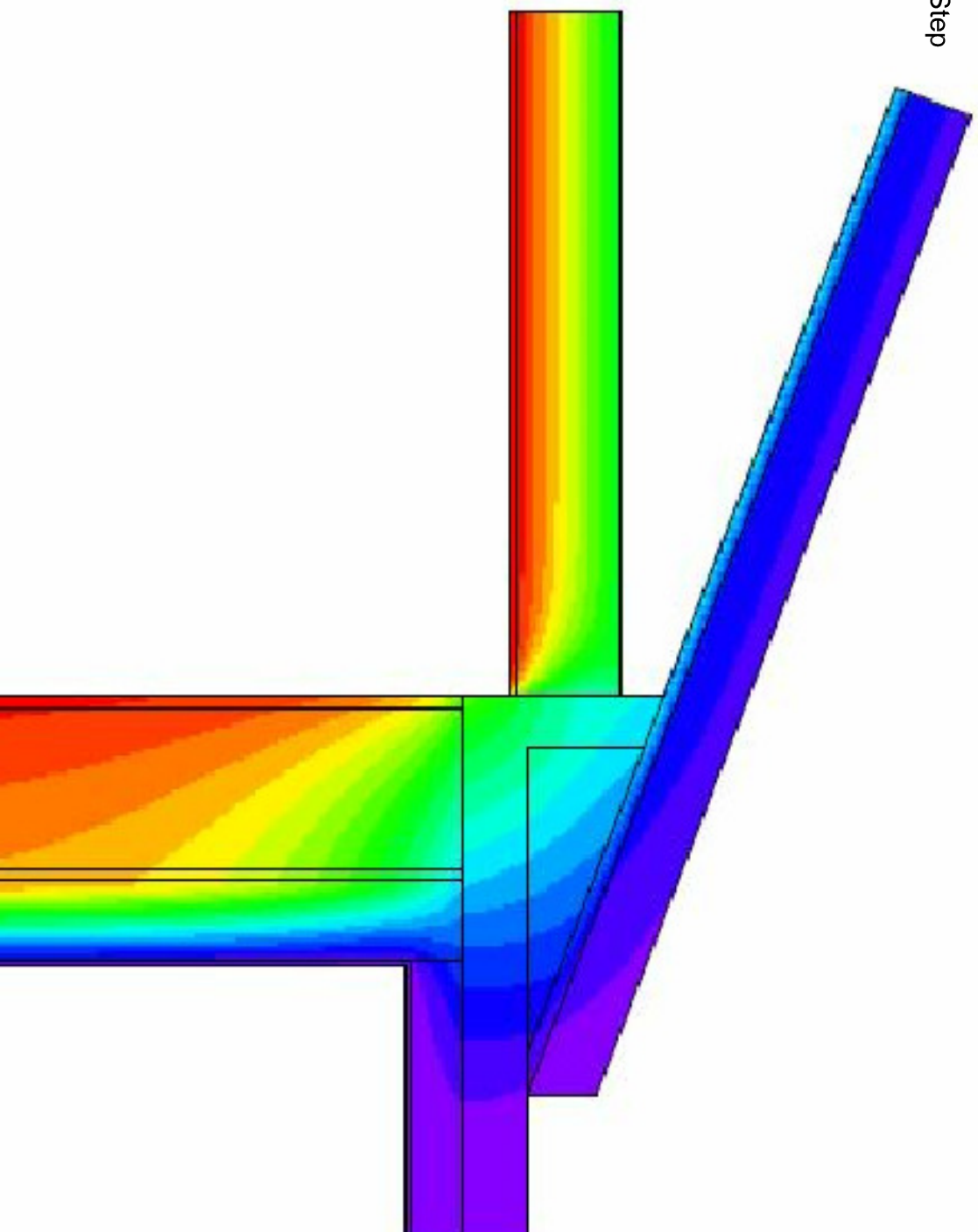
Airtight layer

DESCRIPTION/CHALLENGES

Case Study_OP27_San Roque Social Housing_Spain

ROEA | Roof eaves. Vertical section.

Final Step



ψ - value [W/mK] = 0.578

COLOR CODE



Scale	1:10 @ A4
Author	Nuria Diaz/Anne Vogt
Date	30.09.2016



Co-funded by the Intelligent Energy Europe Programme of the European Union

The sole responsibility for the content of this publication lies with the authors. It does not necessarily reflect the opinion of the European Union. Neither the EACI nor the European Commission are responsible for any use that may be made of the information contained therein.

EuroPHit