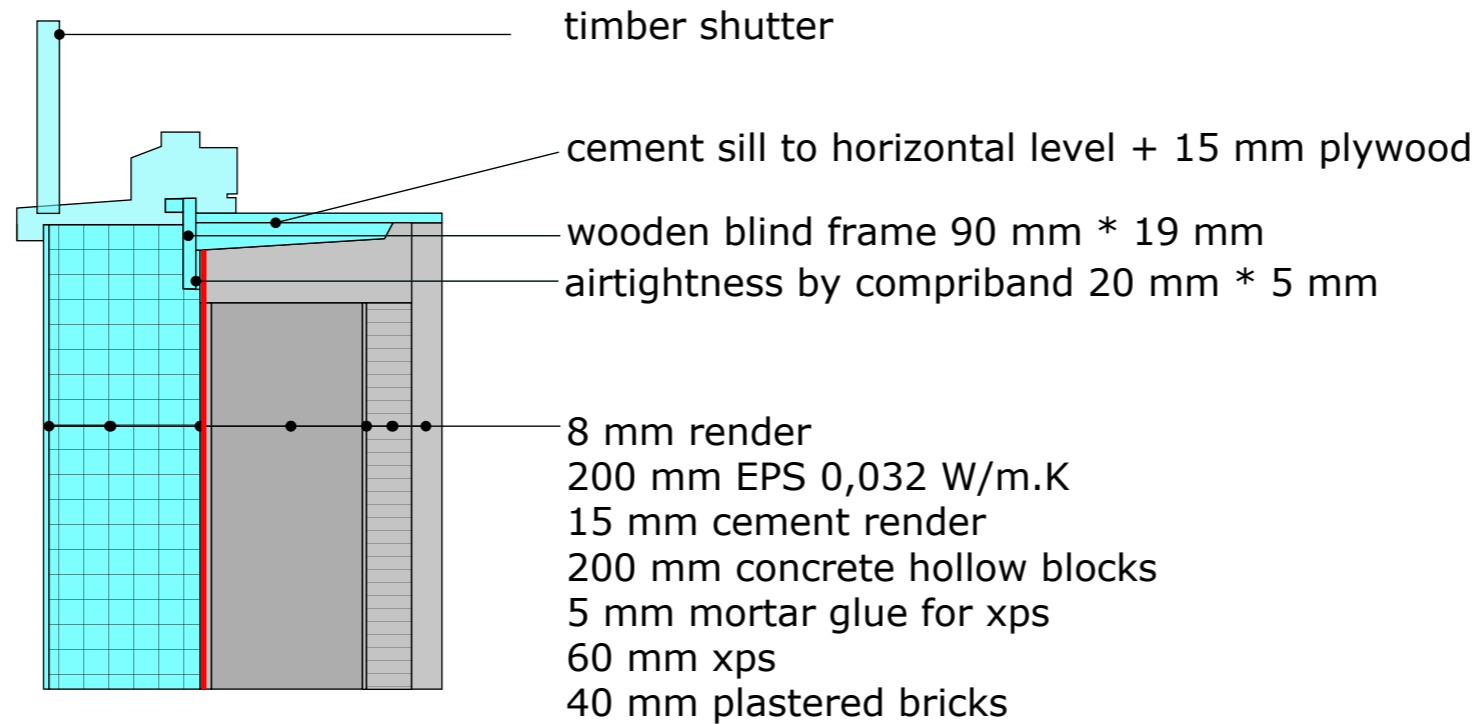
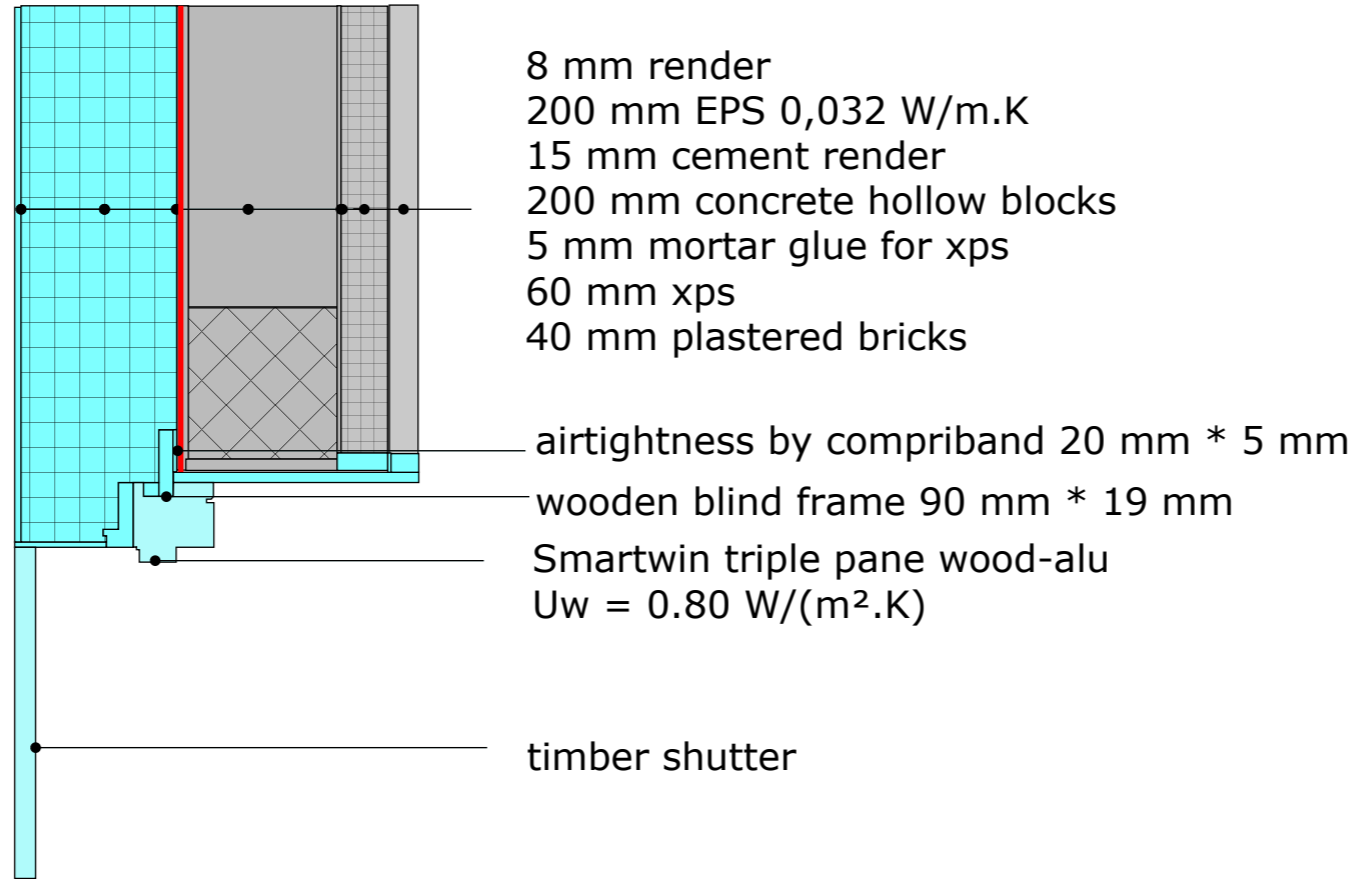








WIBO Detail: Window wall vertical cut

FINAL



COLOR CODE

-  Existing building
-  Step 1
-  Step 2
-  Step 3
-  Step 4
-  temporary works (in between steps)

Airtight layer

DESCRIPTION/CHALLENGES

NOTES